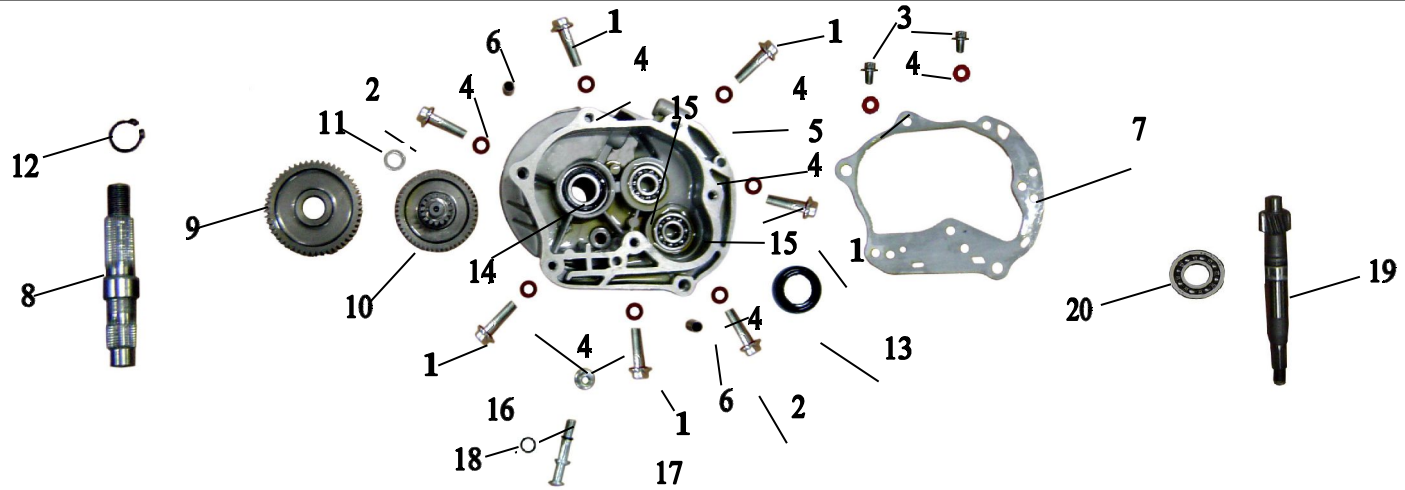
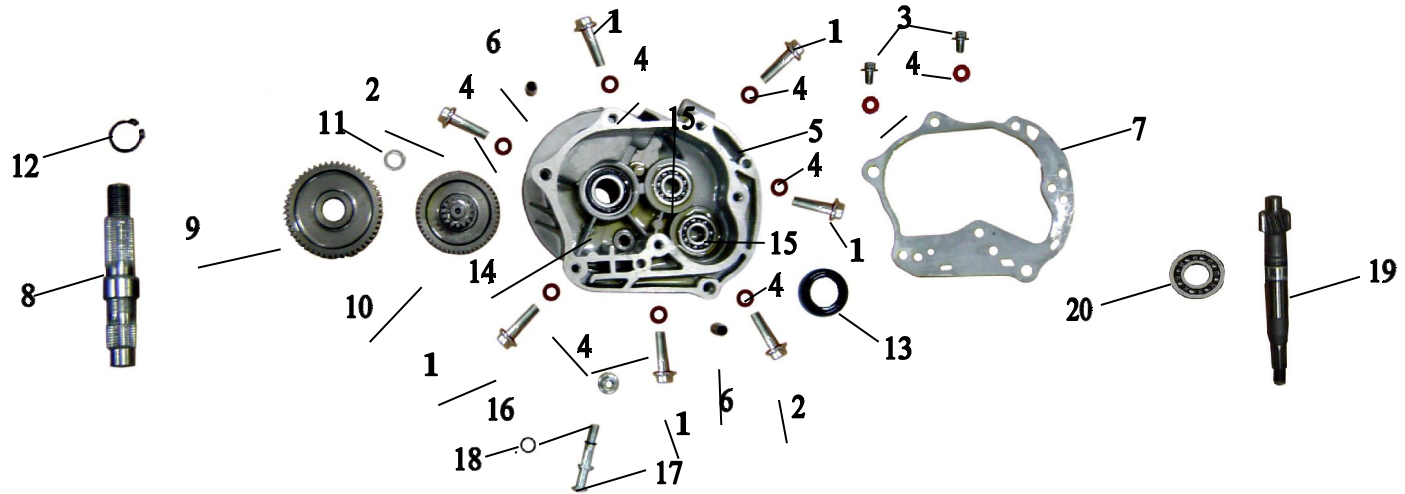


NO 18



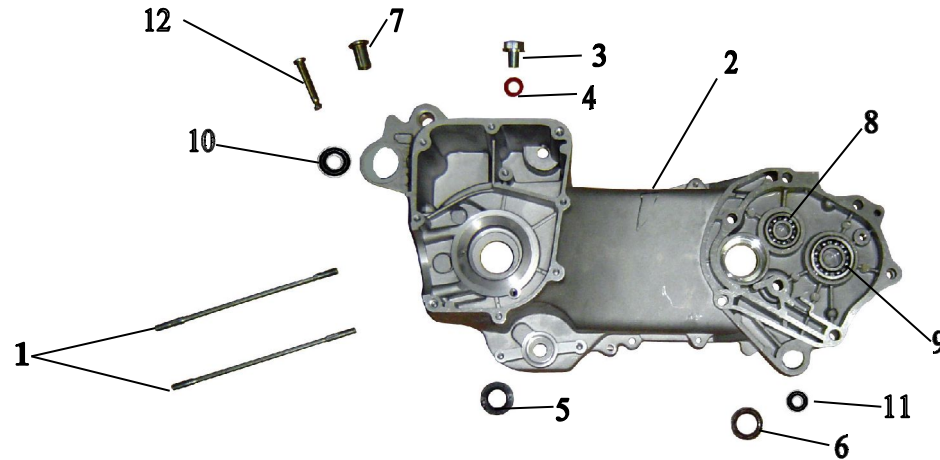
No.	Part no.	Description in English	Qty
1	150004	Hexagon bolt M8×35	5
2	320001	Hexagon bolt M8×40	2
3	320002	Hexagon bolt M8×12	2
4	320003	Paper washer	9
5	320004	Gear room cover	1
6	320005	Pin, dowel $\Phi 10 \times 20$	2
7	320006	Gear room cover paper washer	1
8	320007	axis	1
9	320008	Gear	1
10	320009	layshaft assy	1
11	320010	Layshaft washer 12×20	1
12	320011	Clip spring	1
13	320012	oil seals	1

NO.19



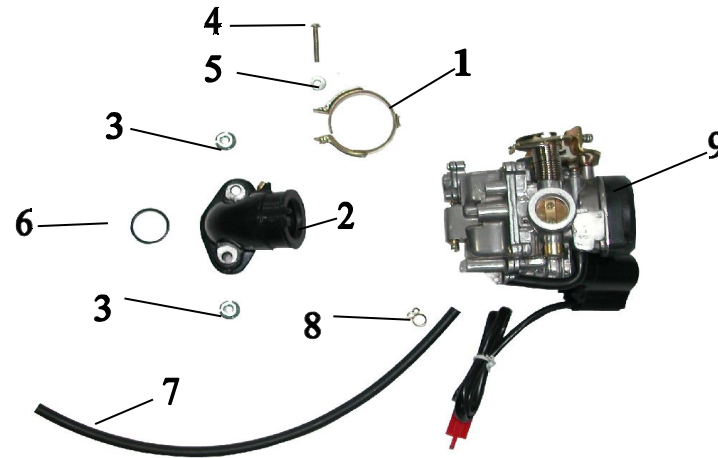
No.	Part no.	Description in English	Qty
14	320013	Gearing 6004	1
15	320014	Gearing 6201	2
16	320015	Hexagon nut	1
17	320016	Brake shoe pin	1
18	320017	O-ringΦ8×1.5	1
19	320018	Input axis	1
20	320019	Gearing 6203	1

NO 20



No.	Part no.	Description in English	Qty
1	330001	Bolt, Stud M7×176	2
2	330002	Left crank case	1
3	330004	BoltM12×15	1
4	330005	Washer of boltΦ12×18.5	1
5	330006	Oil seals17×30×6	1
6	330007	Oil seals 19.8×30×5	1
7	310006	Gearing of center standΦ14×25	1
8	320014	Gearing 6201	1
9	320019	GearingG6203	1
10	330008	Buffer of absorber Φ8×20	1
11	310002	Bushing of engine hanger	1
12	330009	Center stand spring pin	1

NO 21



No.	Part no.	Description in English	Qty
1	140003	ClipΦ40	1
2	170002	Air tube	1
3	070006	Hexagon nut M6	2
4	170005	Bolt M4×25	1
5	170006	WasherΦ4×10	1
6	170003	Ring	1
7	170004	Oil tube	1
8	140014	SpringΦ9	1
9	170001	carburetor	1

