

YY50QT-26



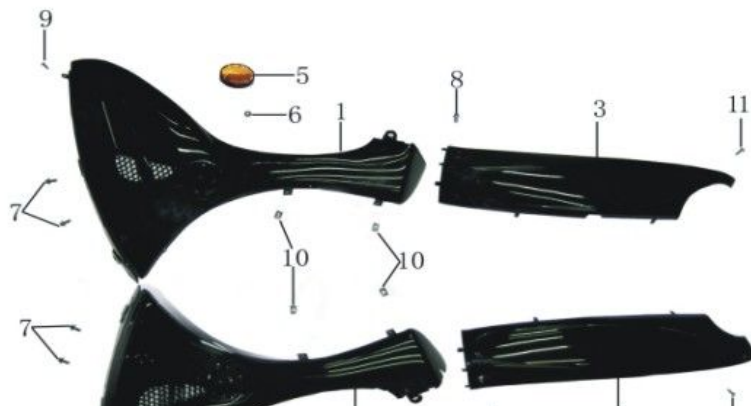
Číslo	Položka	Název	Počet
1	70100001	Front cover	1
2	120100000	Head light	1
3	120100001	Bracket of head light	1
4	70100002	Front small cover	1
5	13	Crossing bolt M6×10	2
6	31	Foursquare nut M6	2
7	4	Self-tapping screw ST4.8×12	4
8	12	Crossing bolt M6×16	1
9	1	Self-tapping screw ST3.2×12	2





1	130100000	Speedometer	1
2	50200003	Protecting cover, Left	1
3	50200004	Protecting cover, Right	1
4	50200001	Speedometer cover	1
5	50200002	Windows crew	1
6	120200000	Front light	1
7	130202000	Front turn signal, Right	1
8	120301000	Front turn signal, Left	1
9	6	Hexagon bolt M6×12	2
10	2	Self-tapping screw ST 4.2×12	12
11	5	Self-tapping screw ST 4.8×16	3
12	4	Self-tapping screw ST 4.8×12	2

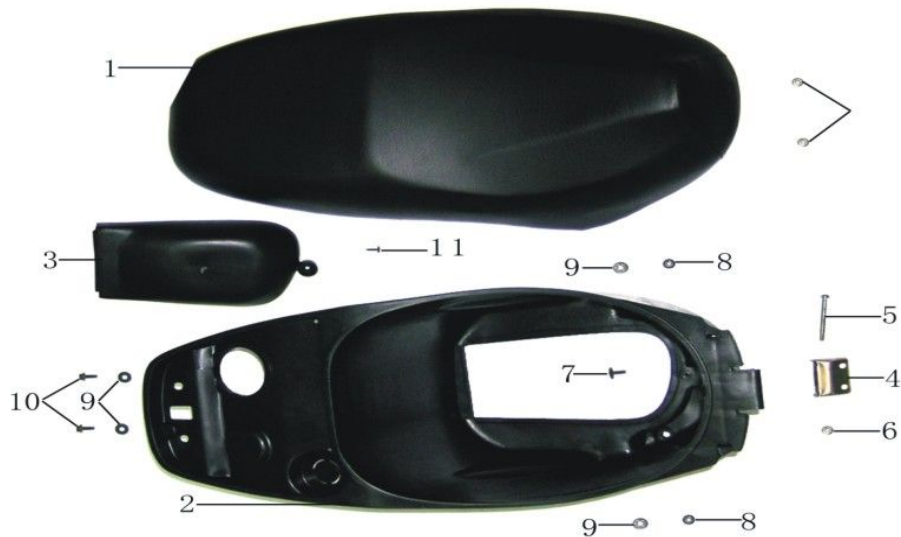
□□plastic cover assy





1	70200001	Plastic plate front, Left	1
2	70200002	Plastic plate front, Right	1
3	70200003	Plastic plate rear, Left	1
4	70200004	Plastic plate rear, Right	1
5	120401000	Side reflector	2
6	9	Hexagon bolt M5	2
7	6	Hexagon bolt M6×12	4
8	6	Hexagon bolt M6×12	2
9	2	Self-tapping screw ST 4.2×12	2
10	11	ClipΦ 4.2	4
11	5	Self-tapping screw ST 4.8×16	2

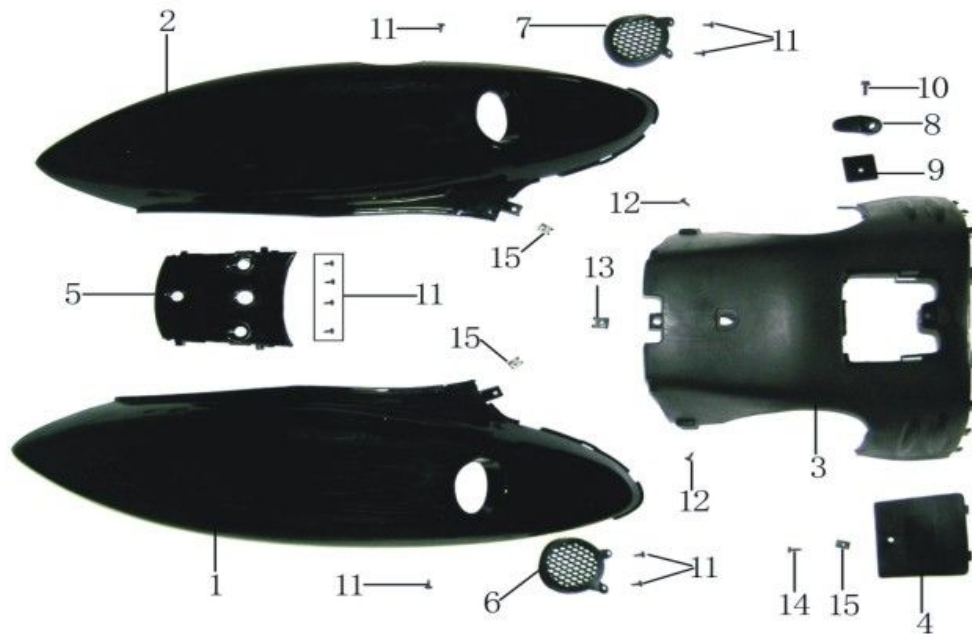
□□seat assy



1	110100000	Seat	1
2	110200001	Luggage box	1

3	110200002	Inside cover of Luggage box	1
4	110200003	Seat rocker	1
5	110200004	Seat rocker shaft	1
6	7	Hexagon nut M6	3
7	12	Crossing bolt M6×16	1
8	7	Hexagon nut M5	2
9	14	WasherΦ 6.2×18	4
10	15	Hexagon bolt M6×16	2
11	5	Self-tapping screw ST 4.8×16	1

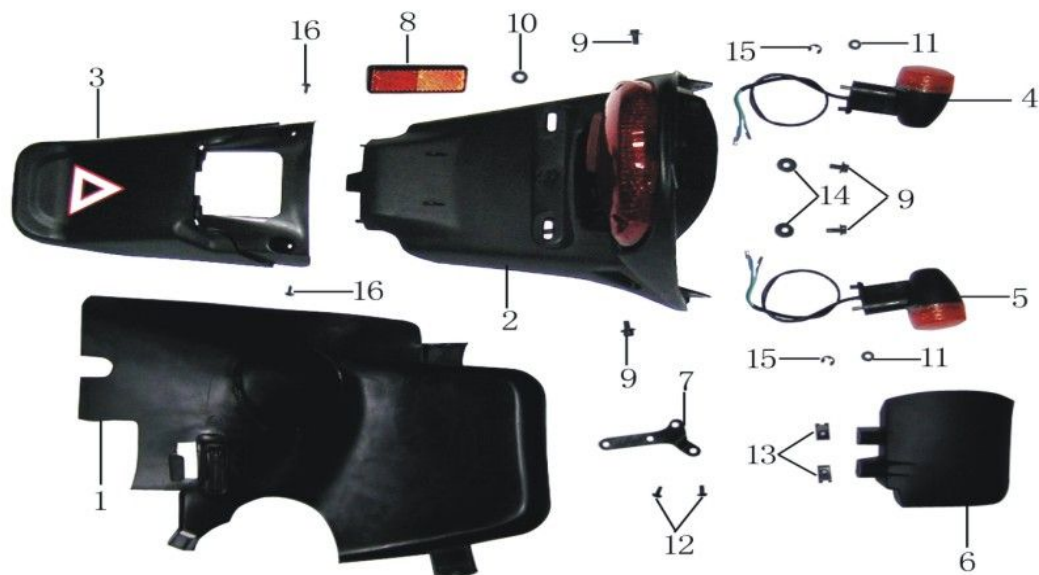
□□decorate cover assy



1	70300001	Left decorative plate	1
2	70300002	Right decorative plate	1
3	70400001	Front cover of luggage box	1
4	70400002	Maintain cover	1
5	70300003	Decorative plate connecting plate	1
6	70300004	Left side cover	1

7	70300005	Right side cover	1
8	70400004	Seat pin	1
9	70400005	Woodruff of side cover	1
10	8	Hexagon bolt M6×16	1
11	2	Self-tapping screw ST 4.2×12	10
12	4	Self-tapping screw ST 4.8×12	2
13	16	Clip nutM6	1
14	5	Self-tapping screw ST 4.8×16	1
15	11	Clip $\Phi 4.2$	3

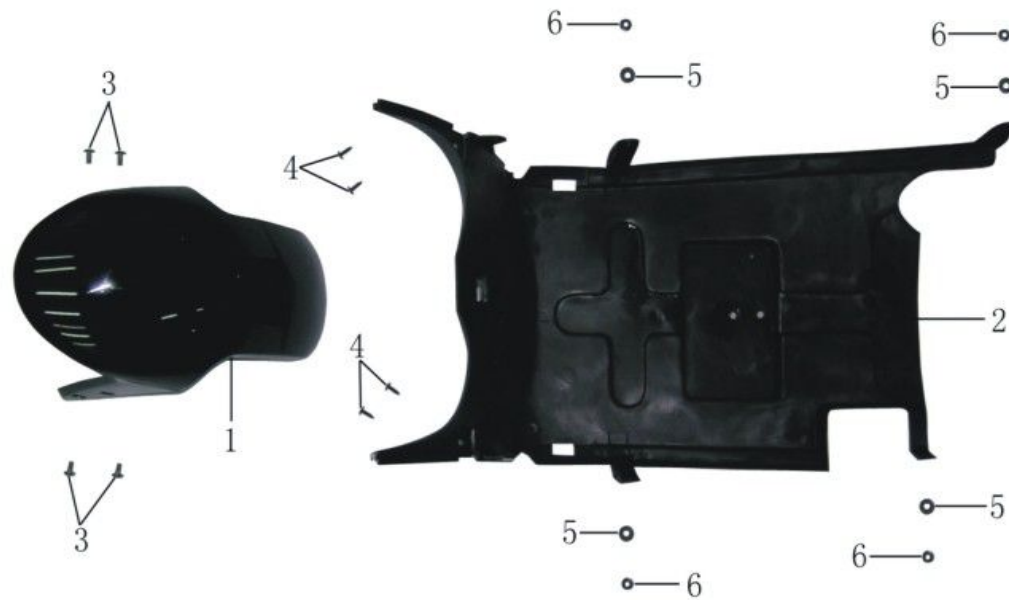
□. rear fender and tail light assy



1	70500001	Frame rear fender	1
2	70501000	Upper of Frame rear fender	1
3	70500002	Under of Frame rear fender	1
4	120501000	Left rear turn signal	1
5	120502000	Right rear turn signal	1
6	70500003	Rear wheel fender	1
7	70500004	Frame of Rear wheel fender	1

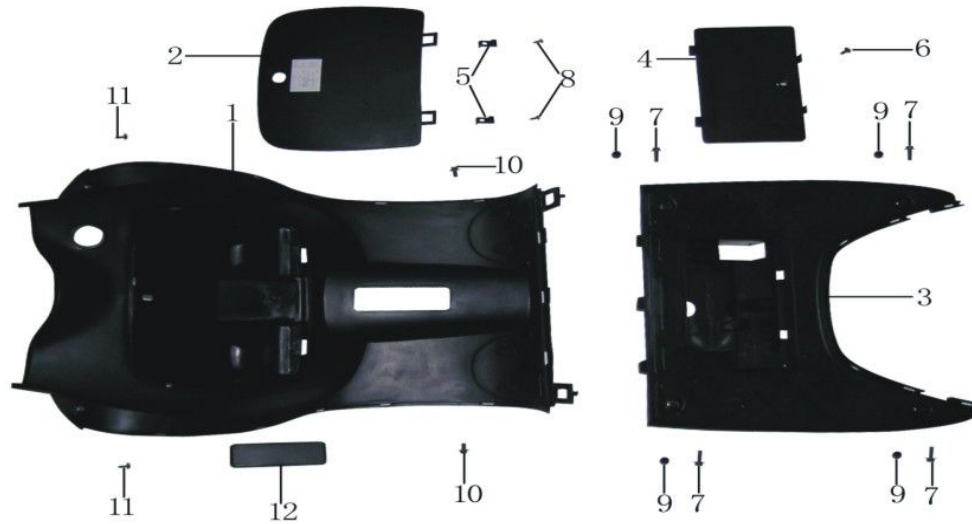
8	120402000	Rear reflector	1
9	6	Hexagon bolt M6×12	4
10	7	Hexagon nutM6	1
11	9	Hexagon nut M5	2
12	17	Crossing bolt M5×10	2
13		18 ClipΦ M5	2
14	14	WasherΦ6.2×Φ18	2
15	21	Placket washer	2
16	2	Self-tapping screw ST4.2×12	2

□. front fender assy



1	70500005	Front wheel fender	1
2	70500005	Frame of front fender	1
3	22	Crossing screw M6×12	4
4	5	Self-tapping ST4.8×16	4
5	23	WasherΦ6.2×Φ12	4
6	7	Hexagon nut M6	4

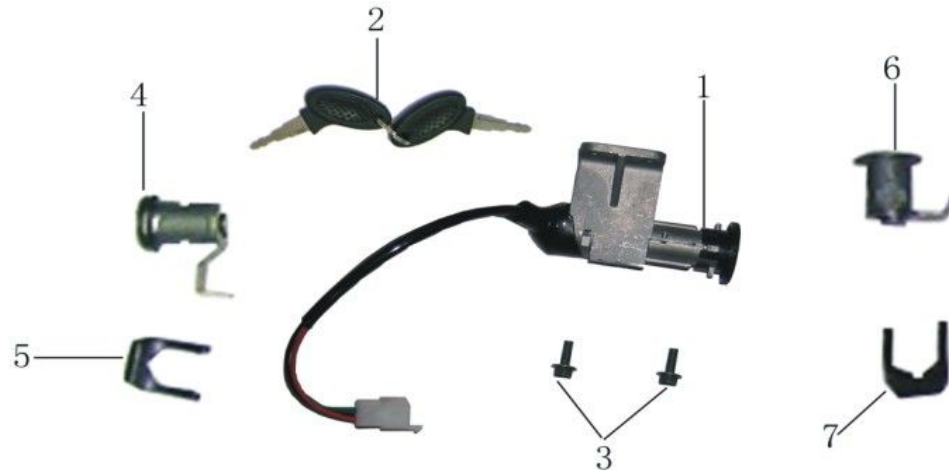
□□tool box assv



1	70600001	Tool box	1
2	70600002	Tool box cover	1
3	70600003	Footboard	1
4	70600004	Battery cover	1
5	70600005	Buffer of tool box lock	2
6	5	Self-tapping screw ST 4.8×16	1
7	24	Hexagon bolt M6×20	4
8	2	Self-tapping screw ST4.2×12	2
9	63	Rubber capΦ9	4
10	6	Hexagon bolt M6×12	2

11	3	Self-tapping screw ST 4.2×16	2
12	70600006	Cover of frame number	1

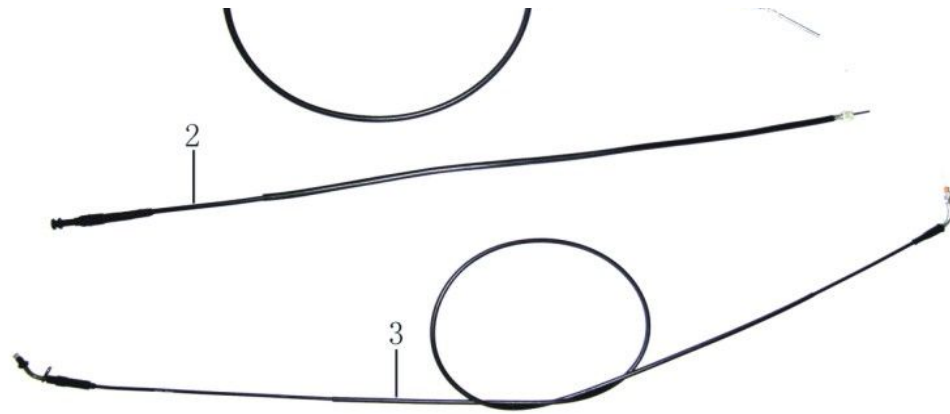
□□ lock set assy



1	60201000	Ignition lock	1
2	60200001	Key	1
3	8	Hexagon bolt M6×16	2
4	60202000	Seat lock	1
5	60202001	Clip of seat lock	1
6	60203000	Lock of tool box cover	1
7	60203001	Clip of tool box cover	1

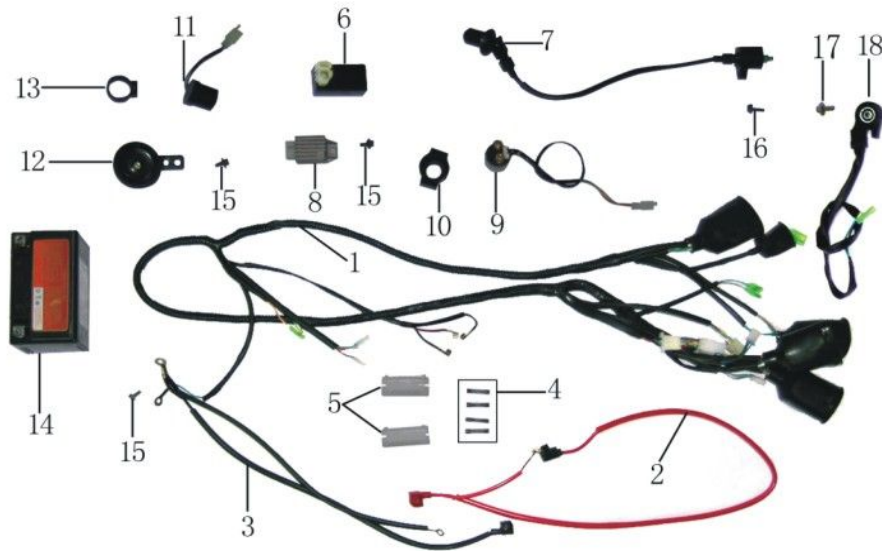
□□ wiring harness assy





1	50500000	Rear brake wire	1
2	40300000	Throttle wire	1
3	50600000	Speedometer wire	1

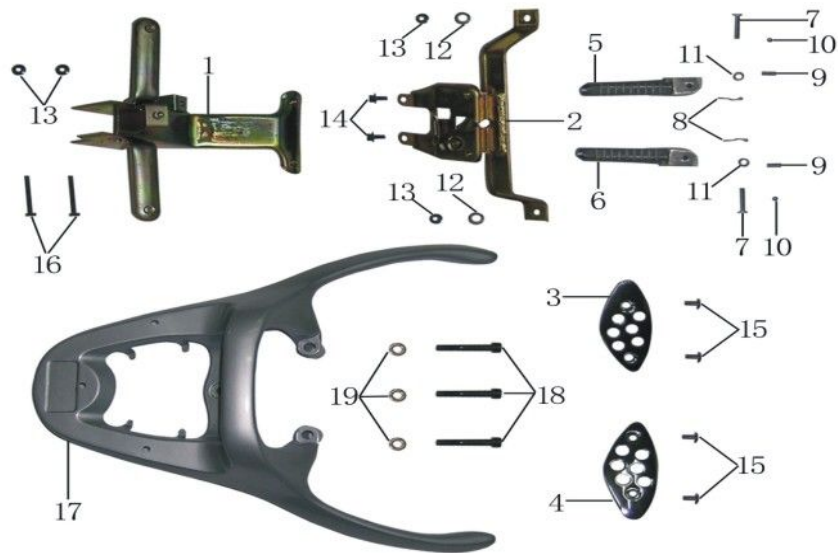
□□□electric parts assy



1	60100000	Cable assy	1
2	60101000	“+” Cable	1

3	60102000	"_ " Cable	1
4	60100001	Fuse	4
5	60100002	Fuse box	1
6	60800000	CDI assy	1
7	60900000	High voltage wire assy	1
8	60300000	Rectifier assy	1
9	60400000	Relay assy	1
10	60400001	Cap relay assy	1
11	60400000	Flasher	1
12	60400001	Cap flasher	1
13	60500000	Horn	1
14	60600000	Battery	1
15	6	Hexagon bolt M6×12	3
16	24	Hexagon bolt M6×20	1
17	60700000	Flameout switch, Side stand	1
18	8	Hexagon bolt M6×16	1

□□ iron parts assy



1	20400000	Frame of front cover	1
2	20500000	Plate of fuel tank	1

3	70300006	Left plastic plate	1
4	70300007	Right plastic plate	1
5	20600001	Right pedal	1
6	20600002	Left pedal	1
7	20600003	Pedal axle	2
8	20600004	Pedal pin	2
9	20600005	SpringΦ6×14	2
10	20600006	BallΦ6	2
11	20700007	WasherΦ6.2×12	2
12	27	WasherΦ8.2×16	2
13	7	Hexagon nut M6	4
14	6	Hexagon bolt M6×12	2
15	22	Crossing screw M6×12	4
16	25	Hexagon bolt M6×50	2
17	20700000	Rear rack	1
18	26	Inside Hexagon bolt M8×50	3
19	27	WasherΦ 8.2×16	3

□□□fuel tank assy



1	100101000	Fuel tank	1,00
2	100102000	Fuel tank cover	1,00

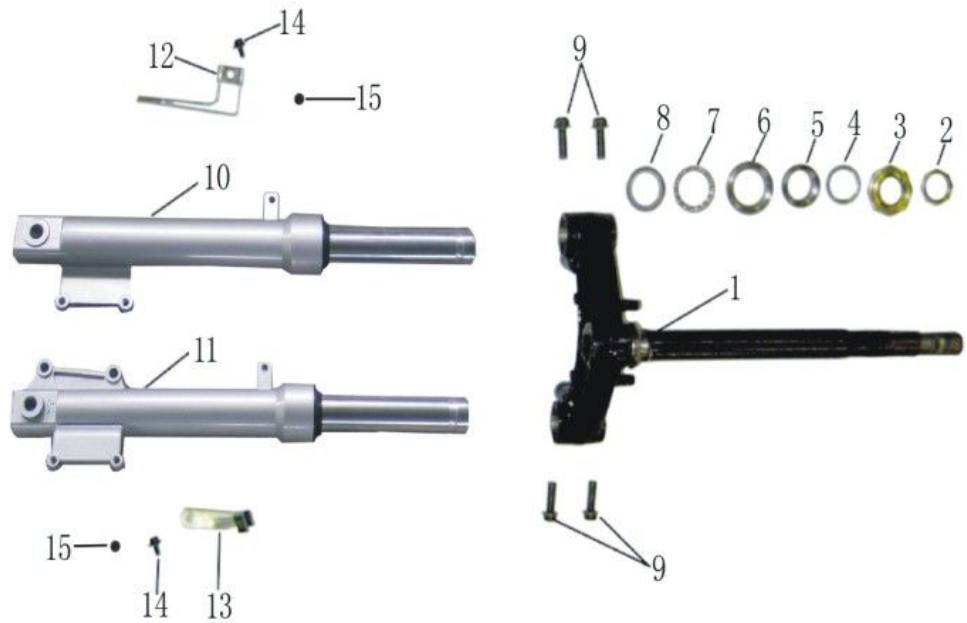
3	100000001	Filter net	1,00
4	56		1,00
5	100000002	Oil pipeΦ5×8.5	3,00
6	100000003	Clip springΦ8	6,00
7	100104000	Fuel sensor unit	1,00
8	100100002	Plate fuel sensor unit	1,00
9	100100001	Bushing	1,00
10	6	Hexagon bolt M6×12	2,00
11	8	Hexagon bolt M6×16	1,00
12	100103000	Fuel petcock	1,00
13	100105000	Oil filter	1,00
14	100000004	Clip springΦ7	4,00
15	100000005	Gas hoseΦ 4×7	2,00
16	7	Hexagon nut M6	1,00
17	100000006	Tube join	1,00
18	100000007	SpringΦ 9	1,00
19	100000008	SpringΦ 11	3,00

□□□handle bar assy



1	50100000	Handlebar	1,00
2	160100000	Back view mirror, left	1,00
3	160100000	Back view mirror, right	1,00
4	50301000	Left grip	1,00
5	50302000	Right grip	1,00
6	130301000	Left switch	1,00
7	130302000	Right switch	1,00
8	28	Hexagon bolt M10×45	1,00
9	29	Hexagon self-locked bolt M10	1,00
10	32	Crossing bolt M5×8	1,00

□□□joint board assy



1	90100000	Steering column	1,00
2	90400001	Tight nut	1,00

3	90400003	Upwards protruding bearing	1,00
4	90400004	Ball bearing $\checkmark 4$	1,00
5	90400005	Upwards concave bearing	1,00
6	90400006	Downwards concave bearing	1,00
7	90400007	Ball bearing $\checkmark 6.3$	1,00
8	90400008	Downwards protruding bearing	1,00
9	33	Hexagon bolt M6 \times 48	4,00
10	90202000	Front shock absorber, R	1,00
11	90201000	Front shock absorber, L	1,00
12	90400009	Clip of disk brake	1,00
13	90400011	Clip of speedometer wire	1,00
14	6	Hexagon bolt M6 \times 12	2,00
15	63	Rubber cover Φ 9	2,00

□□□ front wheel assy



1	58	Tire	1
2	401000000	Steel circle	1
3	40200000	Disk	1
4	40000001	Brake disk	1
5	34	front axle M12×250	1
6	40300000	Speedometer drive assy	1
7	35	Bushing20×50	1
8	36	Hexagon self-locked nut M12	1
9	37	Hexagon bolt M6×35	2
10	38	Screw	3
11	64	Rubber coverΦ12	2
12	65	Rubber coverΦ14	1
13	66	Rubber coverΦ16	1
14	40101001	Valve stem	1

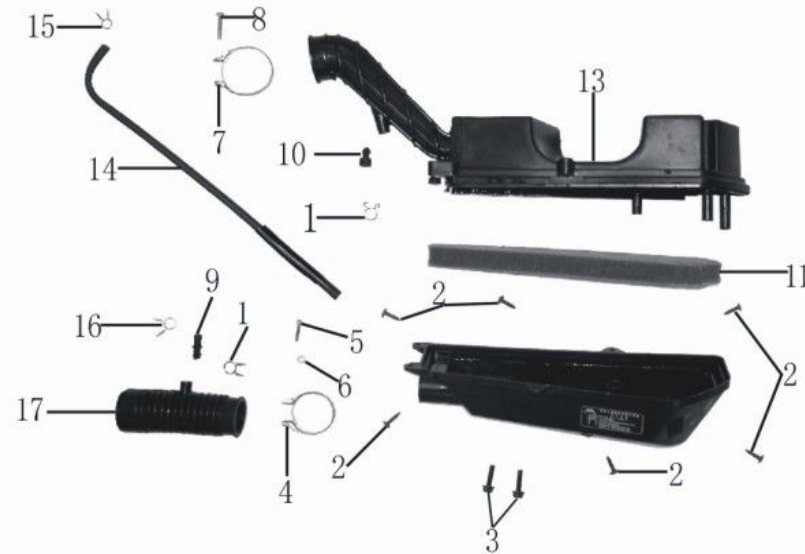
□□muffler assy 21



1	34000000	Muffler	1,00
2	41	Hexagon bolt M8×55	2,00

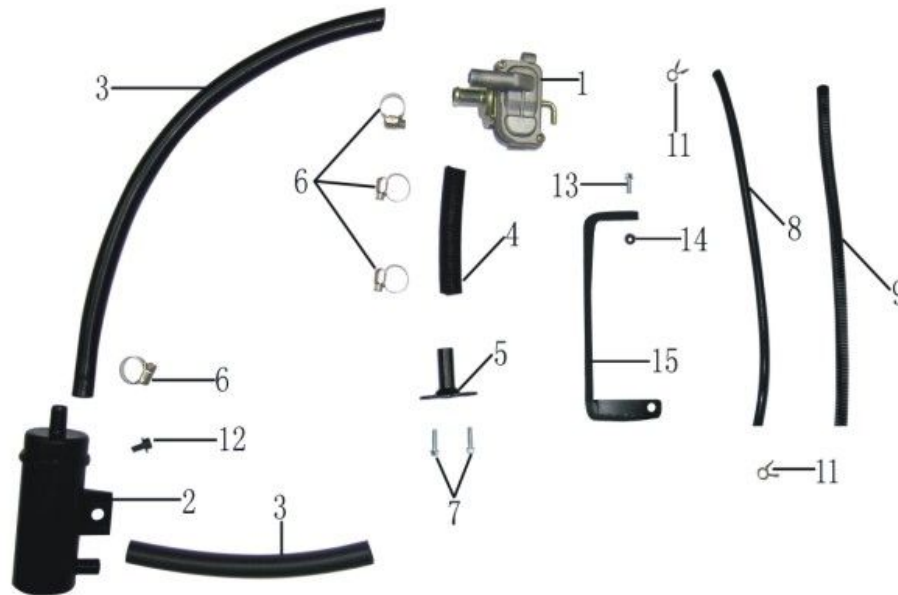
3	7	Hexagon nut M6	2,00
4	3400001	Washer	1,00

□□□air filter assy



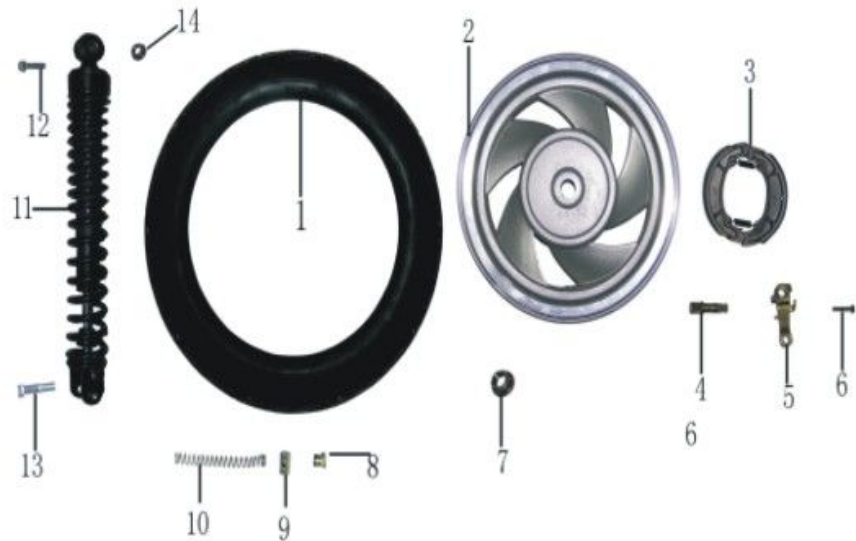
1	31400001	Clip	2,00
2	5	Self-tapping screw	6,00
3	82	Hexagon bolt M6×25	2,00
4	31400002	Clamper	1,00
5	83	Bolt	1,00
6	84	Washer	1,00
7	31400003	Clamper	1,00
8	53	Bolt M5×25	1,00
9	31400004	Tie-in	1,00
10	31400005	Rubber block	1,00
11	31400006	Sponge filter element	1,00
12	31400007	Upper cover, filter	1,00
13	31400008	Under cover, filter	1,00
14	31400009	Tube	1,00
15	31400010	ClipΦ9	1,00
16	31400011	ClipΦ10	1,00

□□□second air fill assy



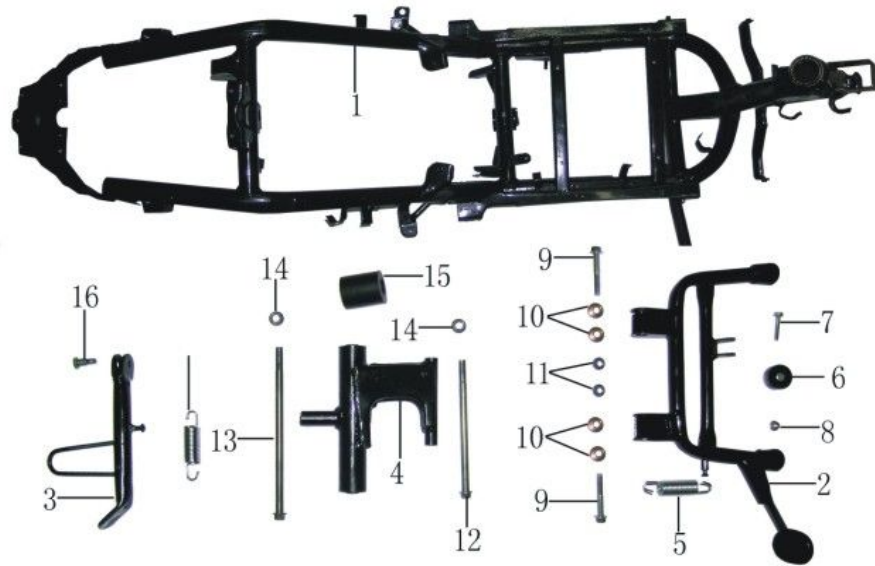
1	30501000	Air refill valve	1
2	30502000	Air filter	1
3	30500001	Tube	2
4	30500002	Tube	1
5	30503000	Tube	1
6	30504000	Clamper	4
7	81	Hexagon bolt M6×30	2
8	30500003	Gas hose	2
9	30500004	Spring cover	1
10	30500005	Tube join	1
11	30500006	Clamper	3
12	6	Hexagon bolt M6×12	1
13	24	Hexagon bolt M6×20	1
14	7	Hexagon nut M6	1
15	30500007		1

□□□rear wheel assy



1	61	Rear tyre	1
2	150100000	Rear wheel	1
3	150201000	Brake hoof	1
4	150200001	Rocker shaft	1
5	150200002	Rocker arm	1
6	44	Hexagon bolt M6×32	1
7	43	Hexagon nut M16	1
8	150000001	Adjusting nut	1
9	150000002	Orientation pin	1
10	150000003	Spring	1
11	140100000	Rear shock absorber	1
12	42	Hexagon bolt M10×40	1
13	45	Hexagon bolt M8×32	1
14	29	Hexagon nut M10	1

□□□frame assy



1	10000000	Frame assy	1
2	20100000	Center stand	1
3	20201000	Side stand	1
4	20300000	Hanger	1
5	20100003	Spring of Center stand	1
6	20101000	Buffer of Center stand	1
7	46	Hexagon bolt M6×32	1
8	47	Hexagon self-locked nut M6	1
9	48	Hexagon bolt M8×55	2
10	49	Bushing of Center stand 14×9	4
11	51	Hexagon self-locked nut M8	2
12	52	Hanger shaft A M10×165	1
13	53	Hanger shaft B M10×210	1
14	29	Hexagon self-locked nut M10	2
15	20301000	Buffer of Hanger	2
16	55	Hexagon bolt M8×12	1